

8. SPECIALISED FLOWMETERS 2.

8.5. Coriolis flowmeters

8.5.1. Application example: chemical industry

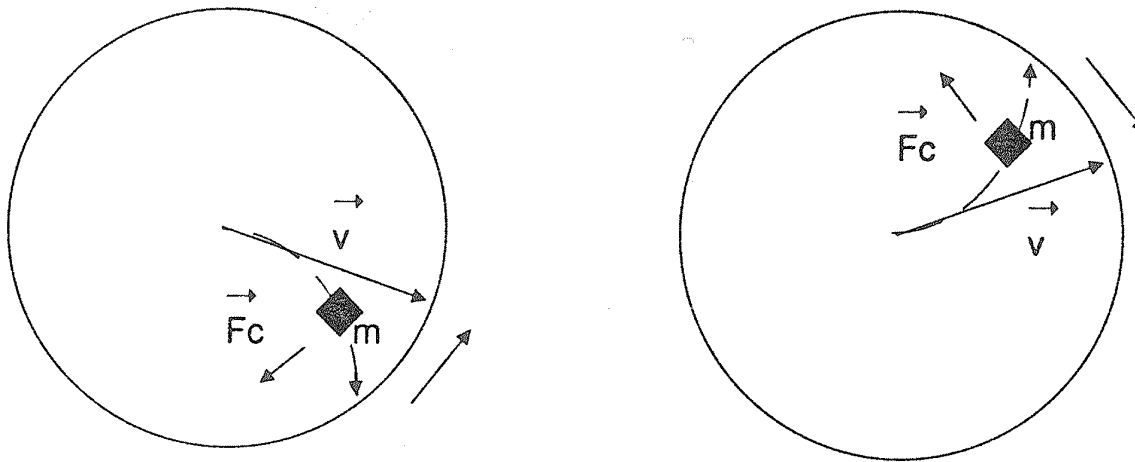
8.5.2. Principle and layouts

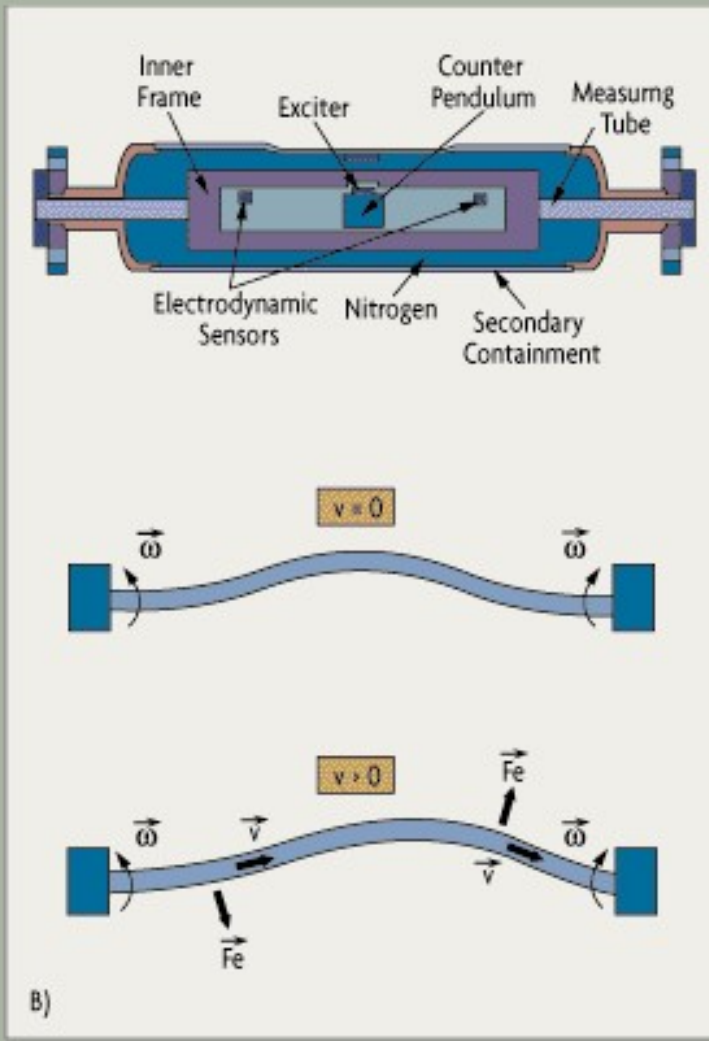
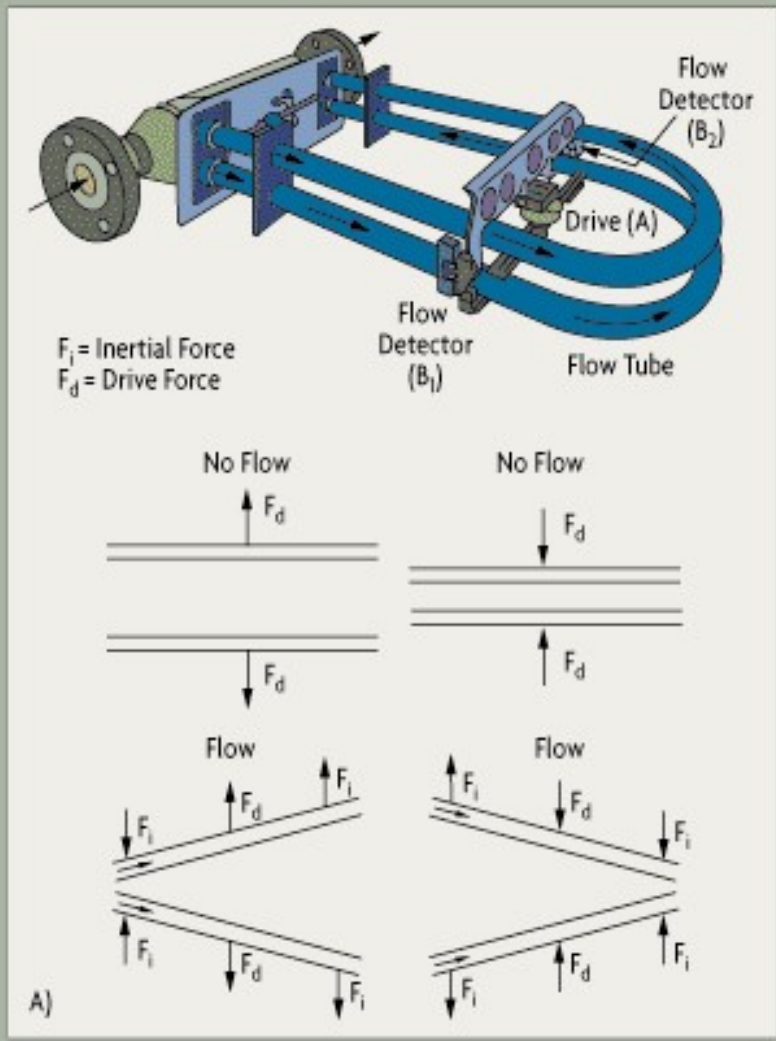
$$\underline{F}_C = m \cdot 2\underline{v} \times \underline{\omega}$$

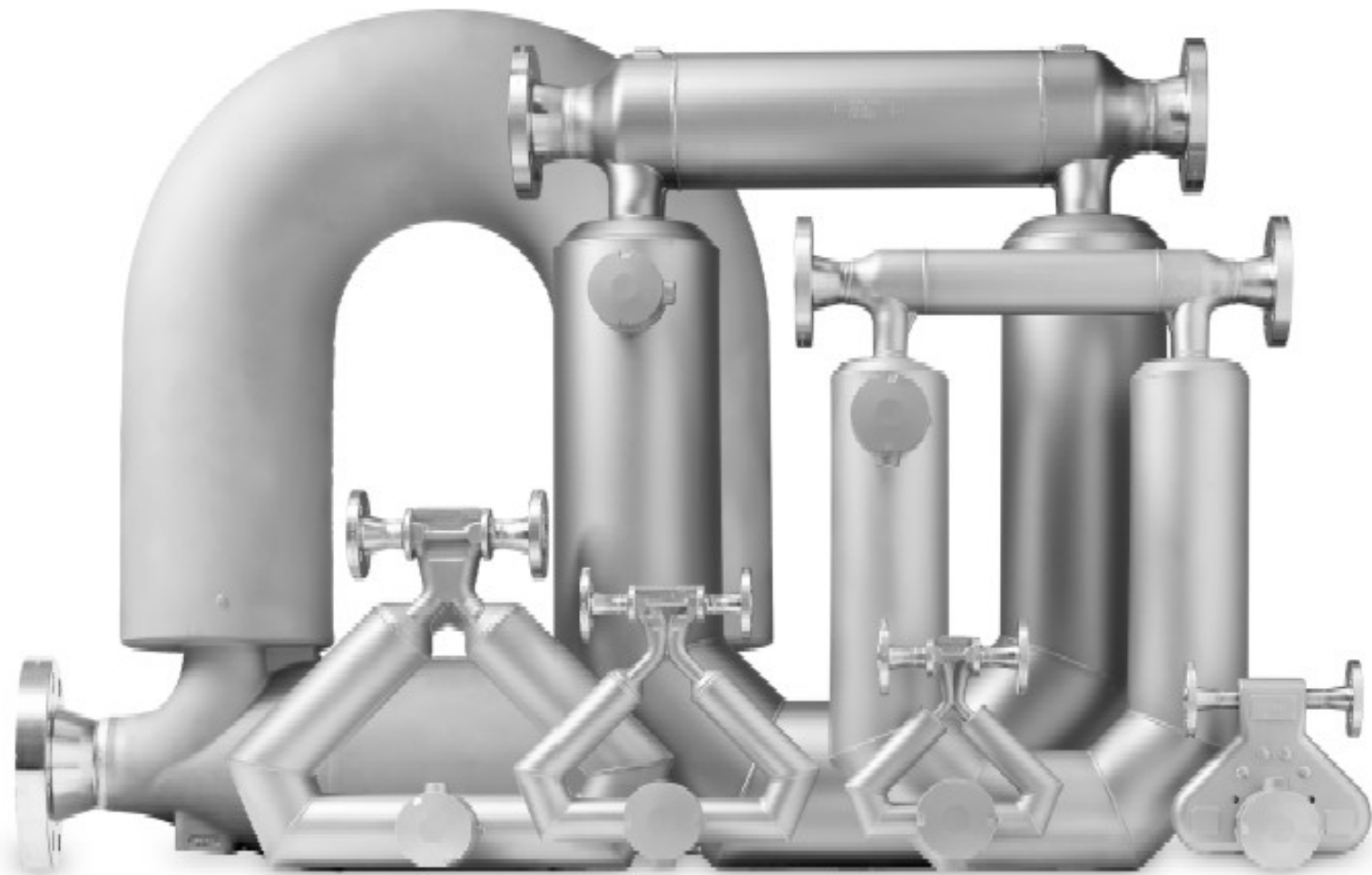
$$m \sim \rho A$$

$$\underline{F}_C \sim \rho A \underline{v} \times \underline{\omega}$$

$$|\underline{F}_C| \sim q_m \omega$$





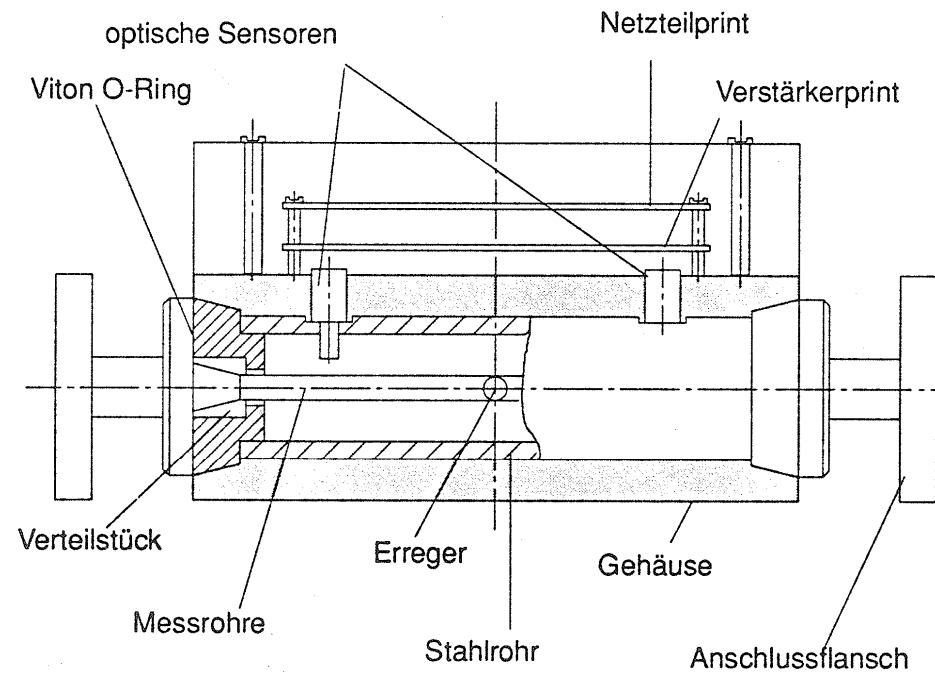
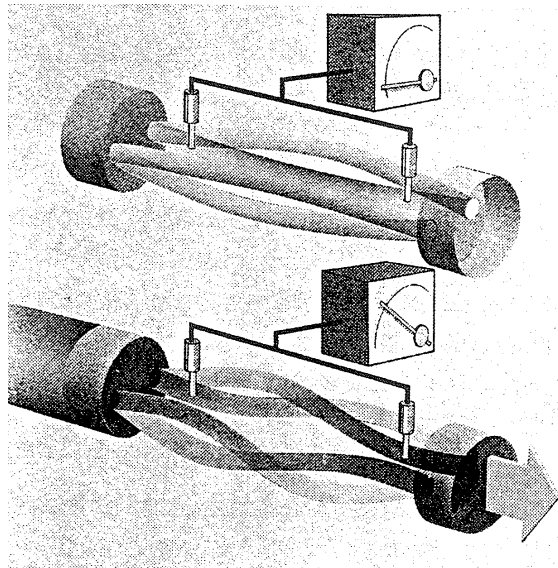


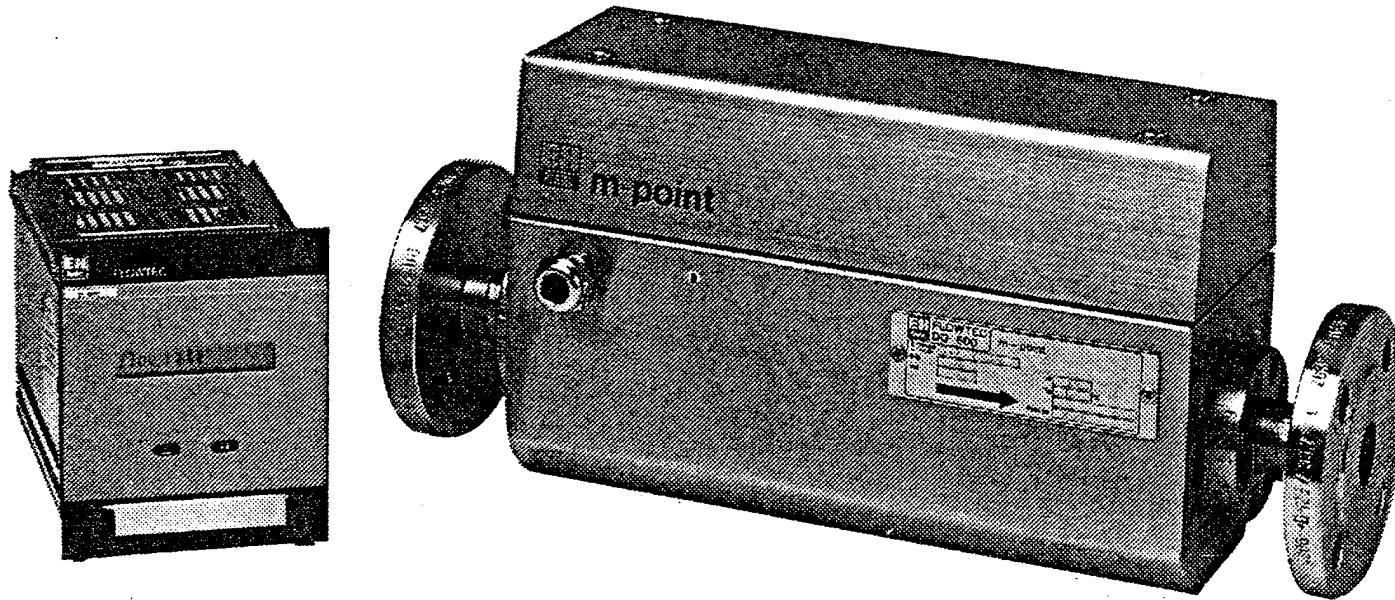
Advantages of the U-type (or Delta-type) arrangement:

- Increased pipe deformation \Rightarrow measurement

Limitations / disadvantages:

- Low eigenfrequency (cca. 100 Hz)
- Limited temporal resolution
- Increased space demand
- Increased pressure drop
- Limited viscosity





ADVANTAGES:

- Direct measurement of mass flow rate
- Measurement of fluid density
- Simplified tube construction, limited space demand possible
- No dependence on fluid viscosity
- Multiphase flows can be measured within limits
- No dependence on the velocity profile
- High accuracy (o.m. of 1 % uncertainty in mass flow rate)

LIMITATIONS / DISADVANTAGES:

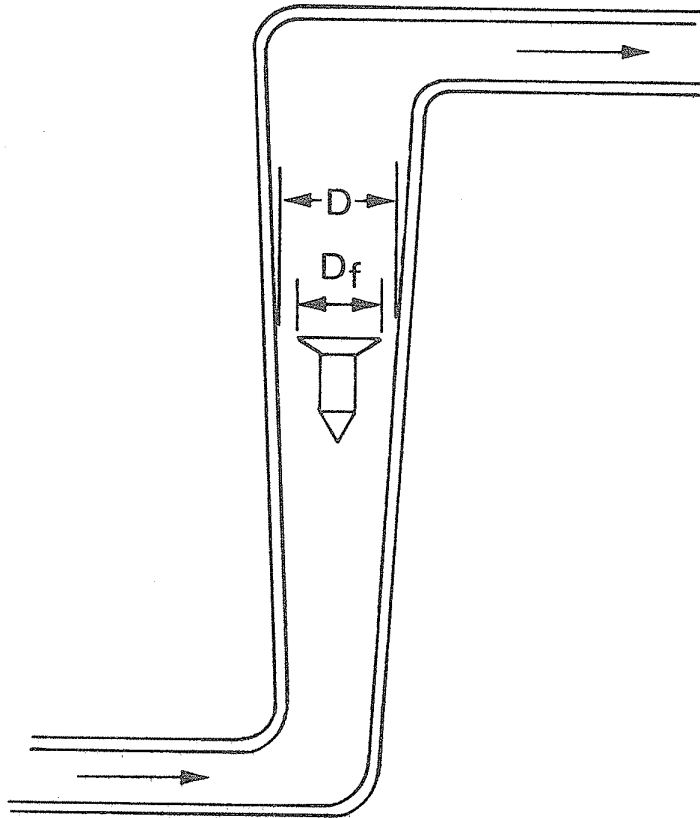
- Liquids (?)
- Relatively expensive
- Vibration-sensitivity \Leftrightarrow increase of costs
- Gas bubbles \Rightarrow attenuate the vibration
- No measurement is possible at presence of gas corks
- Solid particles: abrasion of the tube
- Risk of cavitation
- No measurement: partial fill-up
- No higher temperatures

8.6. Variable area flowmeters

8.6.1. Application examples: rapid flow tests by visual inspection



8.6.2. Principle and layout



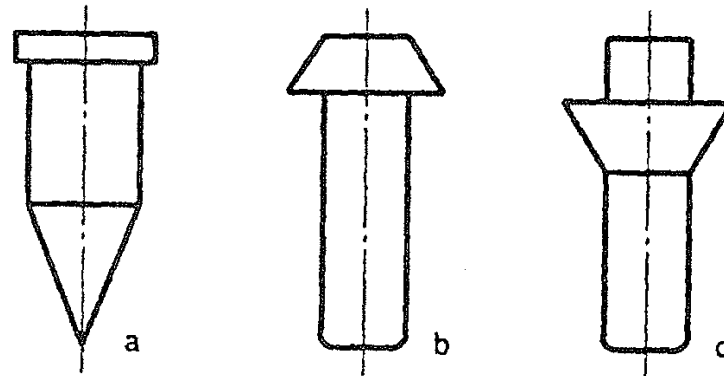
$$F_W = g(\rho_{float} - \rho_{fluid})V_{float}$$

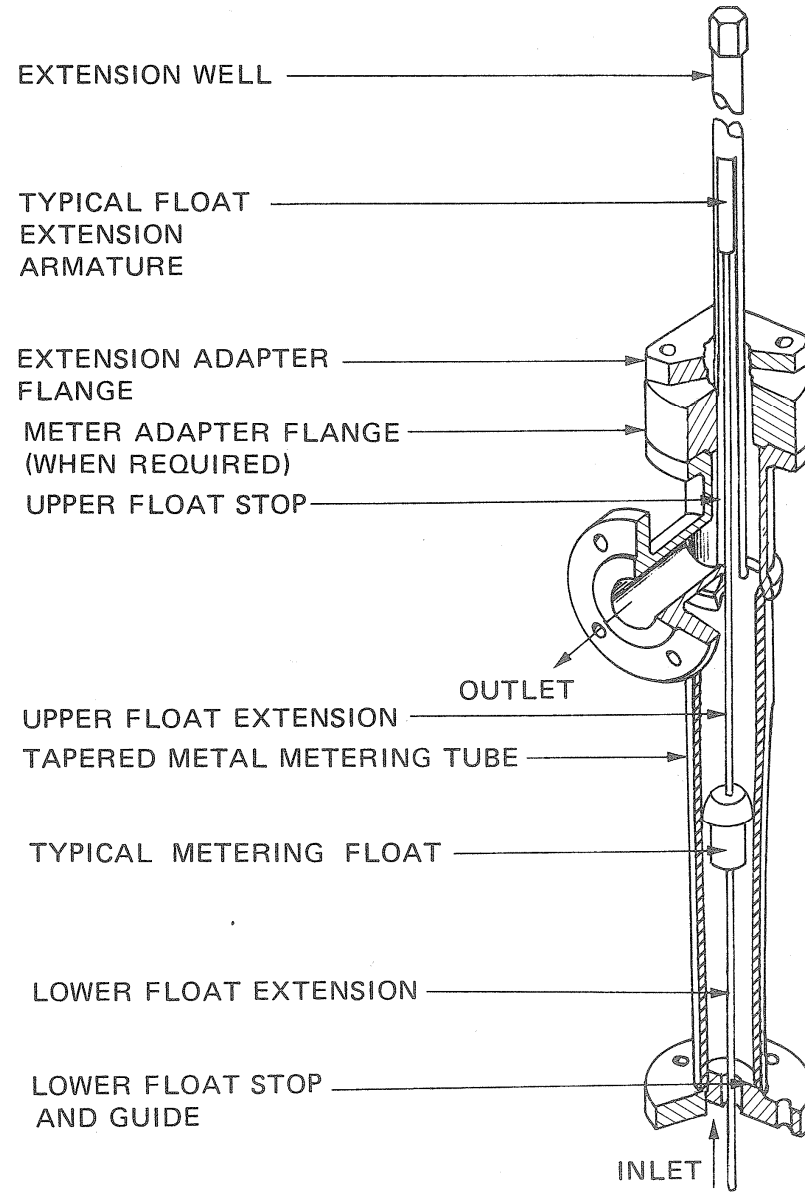
$$F_D = C_{D float} A_{float} \rho_{fluid} \frac{v^2}{2}$$

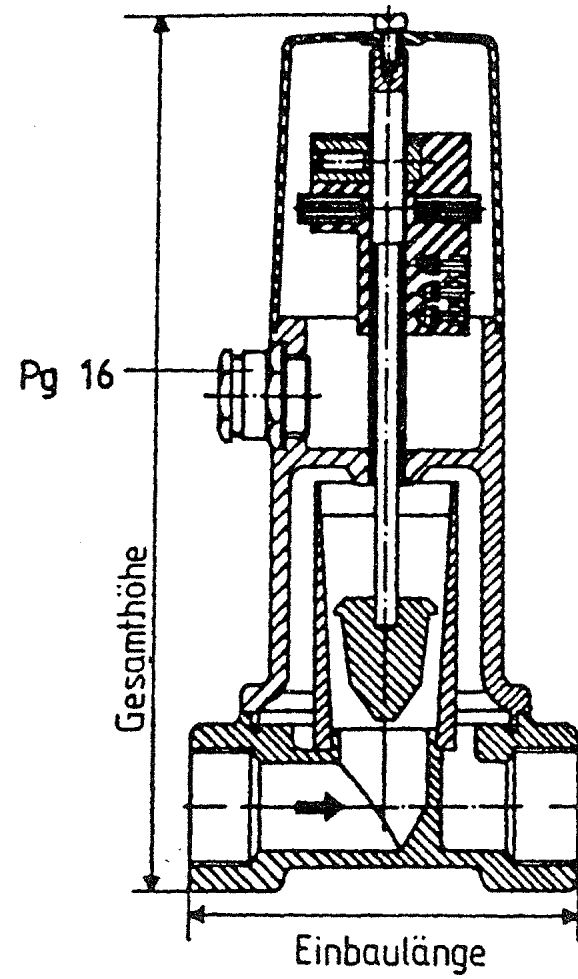
$$= C_{D float} A_{float} \rho_{fluid} \frac{1}{2} \left(\frac{q_V}{A} \right)^2$$

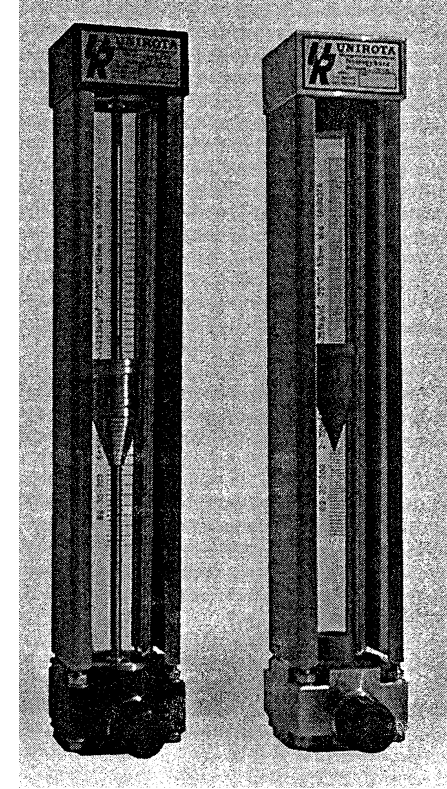
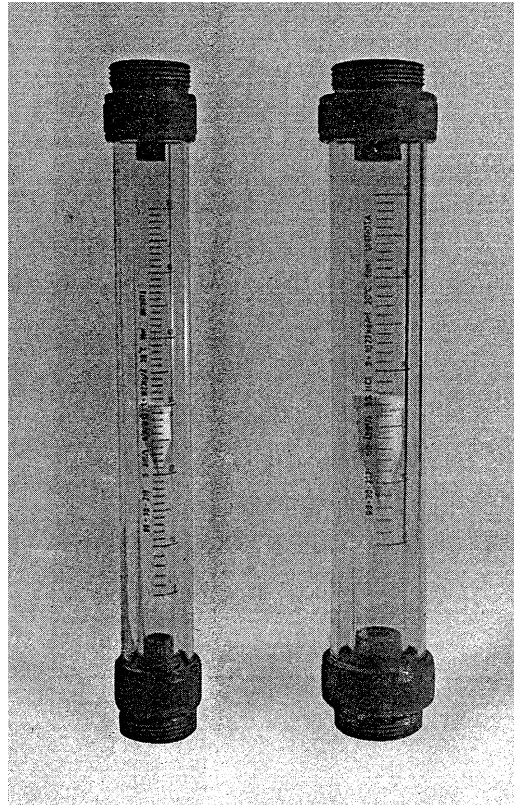
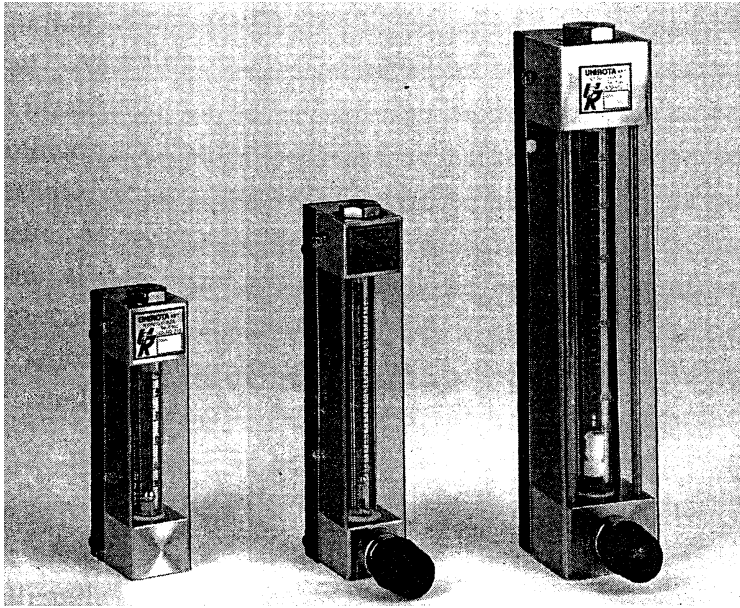
$$F_W = F_D$$

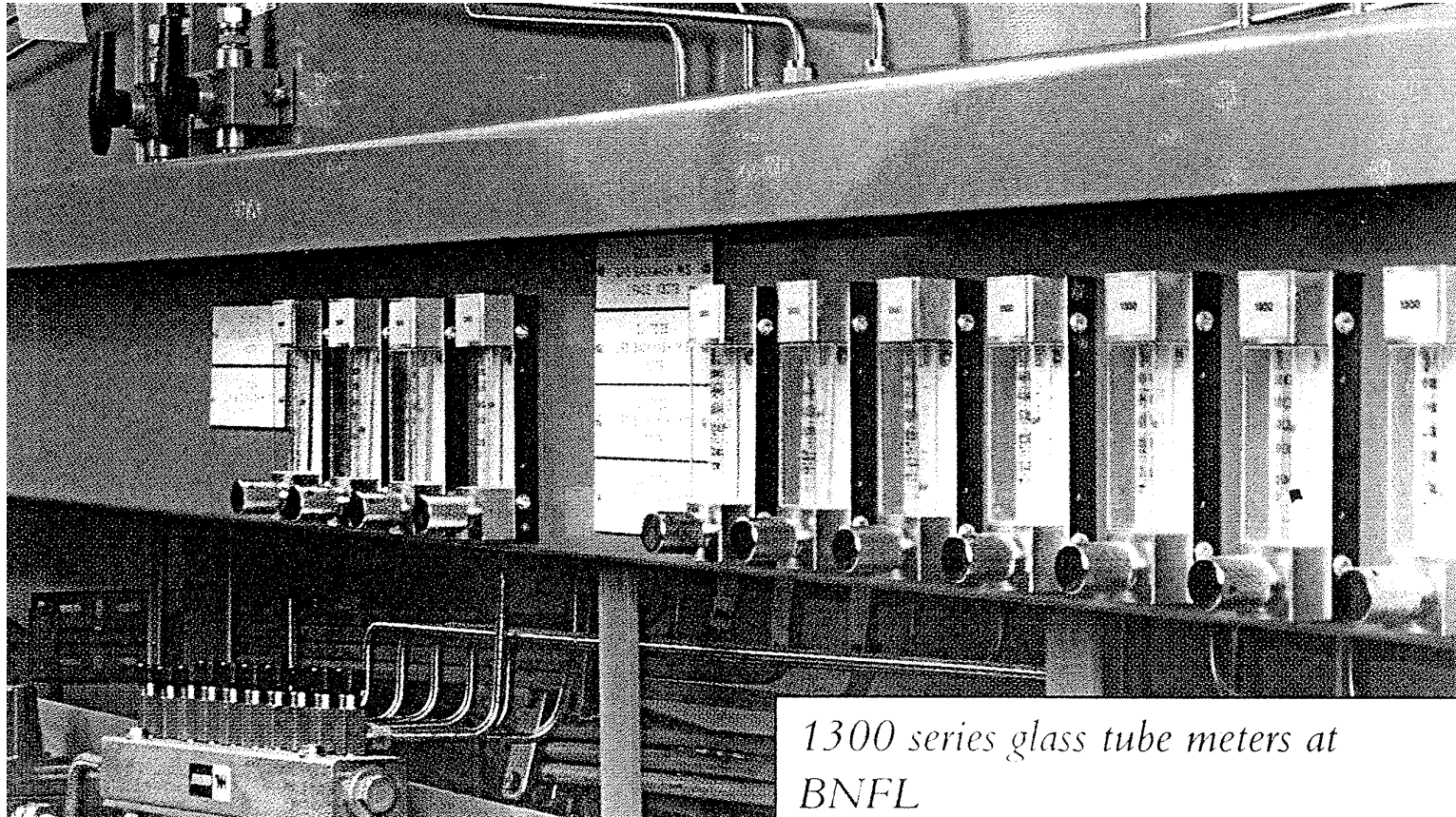
$$q_V = \left[A \frac{1}{\sqrt{C_{D \text{ float}}}} \right] \cdot \sqrt{\frac{2gV_{\text{float}}}{A_{\text{float}}}} \cdot \sqrt{\frac{\rho_{\text{float}} - \rho_{\text{fluid}}}{\rho_{\text{fluid}}}}$$



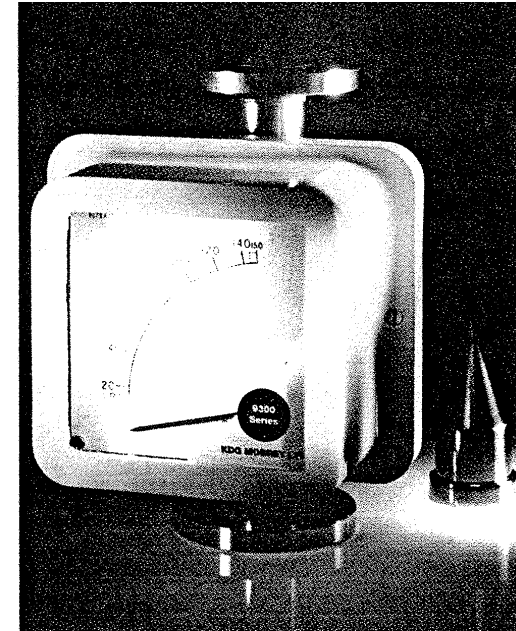
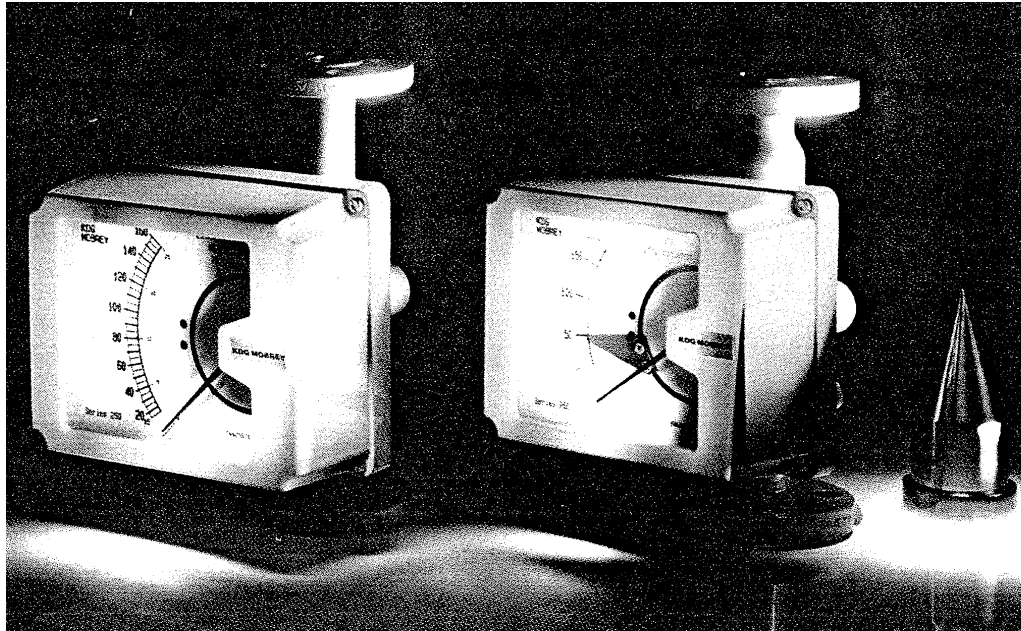


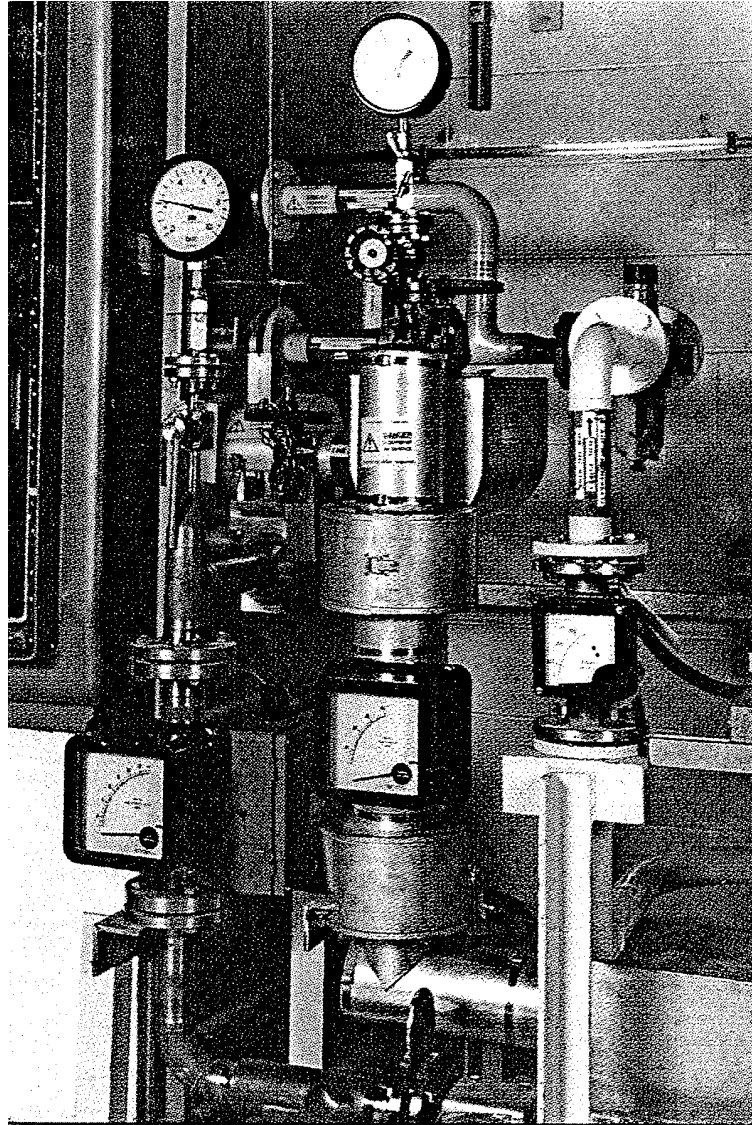






*1300 series glass tube meters at
BNFL*





*9300 Series metal tube meters at
BNFL*

ADVANTAGES:

- Limited expenses
- Simple layout, installation and operation
- Interchangeable float \Rightarrow extension of flow rate range
- Transmittability \Rightarrow no clogging
- Robustness

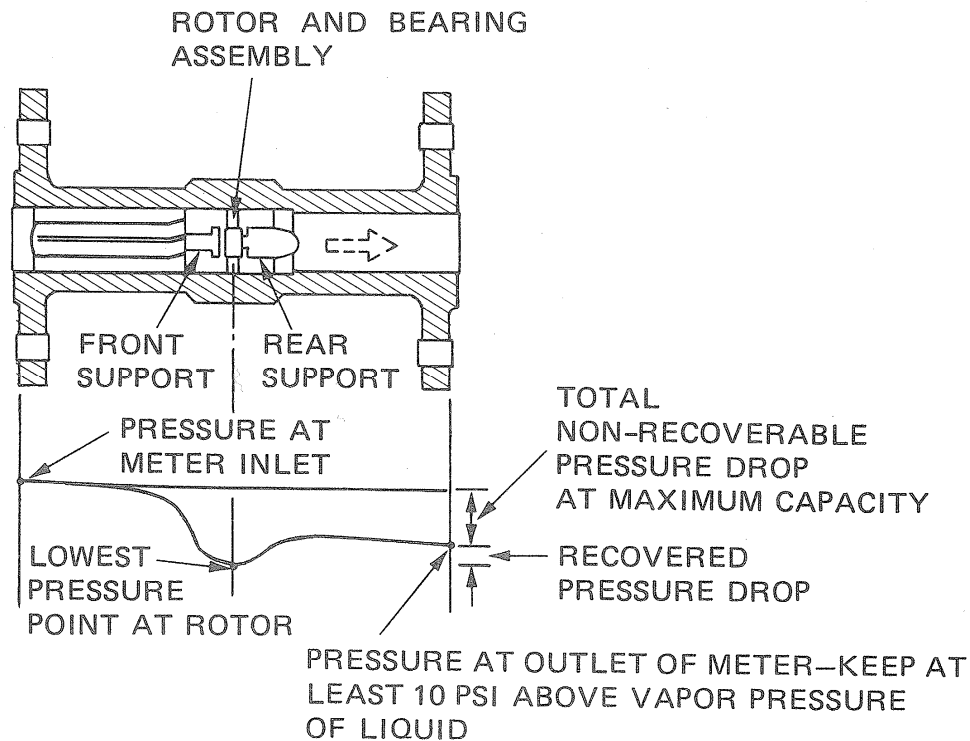
LIMITATIONS / DISADVANTAGES:

- Limited viscosity fluids
- Lower limit of measurements
- Dependence of the measurement on the fluid density (temperature, pressure, specific gas constant) + Reynolds number effect
- Limited accuracy
- Disturbance by another phase

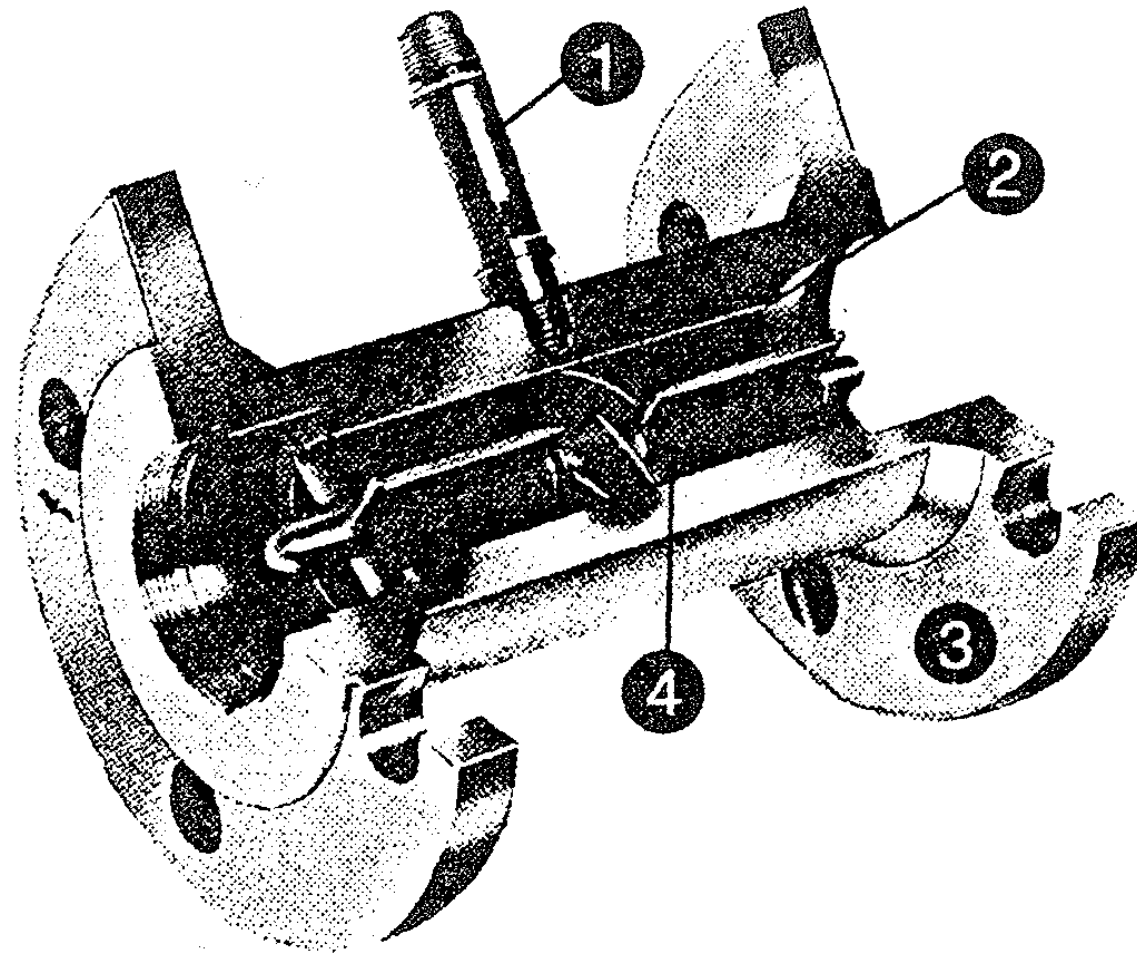
8.7. Turbine flowmeters

8.7.1. Application example: petrochemical products

8.7.2. Principle



$$v = 2 r \pi n c t g \alpha$$



ADVANTAGES:

- High accuracy for specified viscosity
- Wide temperature domain, limited by mechanics and thermal dilation
- Up to high system pressures
- Suitable for electrically insulating fluids
- Wide range of measurable volume flow rate

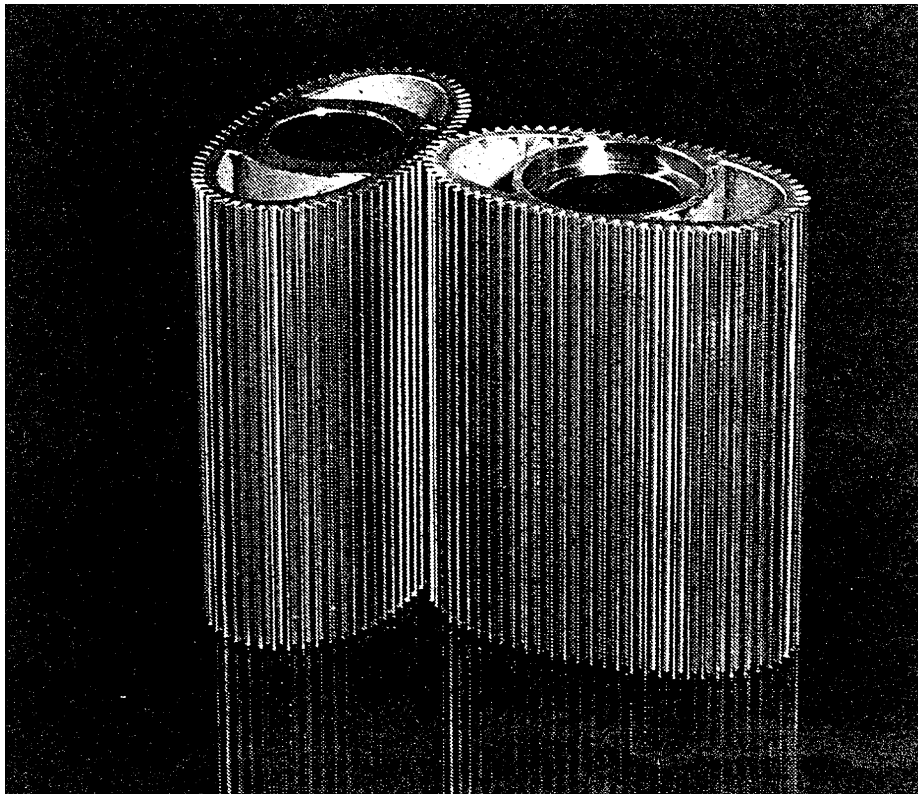
LIMITATIONS / DISADVANTAGES:

- The viscosity is to be known
 - Undisturbed straight pipe sections
 - Not applicable in swirling flows
 - No fluids laden with solid particles
 - Ambient vibration is to be avoided
 - The approved measurement range is not to be exceeded
- Relatively high pressure drop

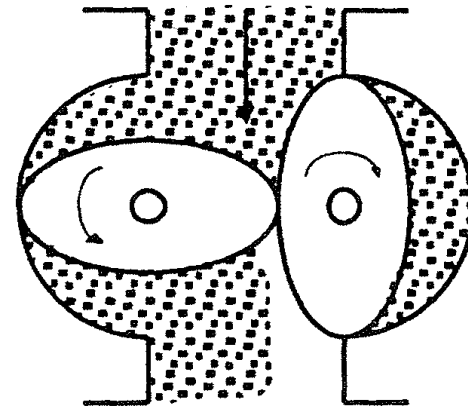
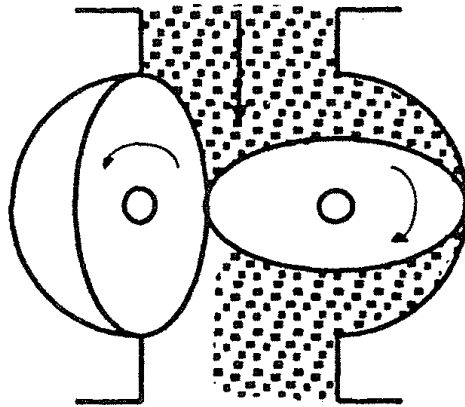
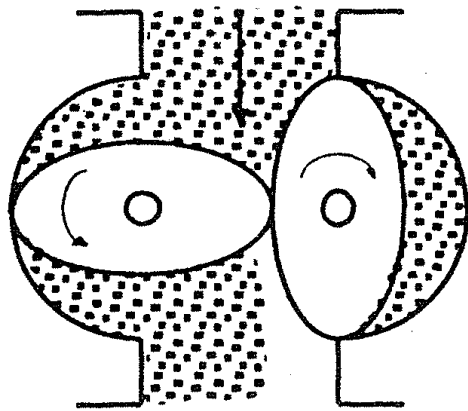
8.8. Volumetric flowmeters

8.8.1. *Application example: fine dosing*

8.8.2. *Principle and layouts – an example: oval cogwheel meter*



Oval cogwheels



ADVANTAGES:

- High accuracy
- Very low flow rates / quantities can be measured
- No dependence of fluid viscosity over a wide range

LIMITATIONS / DISADVANTAGES:

- Costly investment
- Increased maintenance costs
- The life cycle is limited
- High pressure drop
- Sensitive to overload
- Clogs the pipe in the case of failure
- Not suitable for contaminated, aggressive fluids
- Not suitable for higher temperatures
- Not suitable for pulsing flow
- Sensitive to external vibration