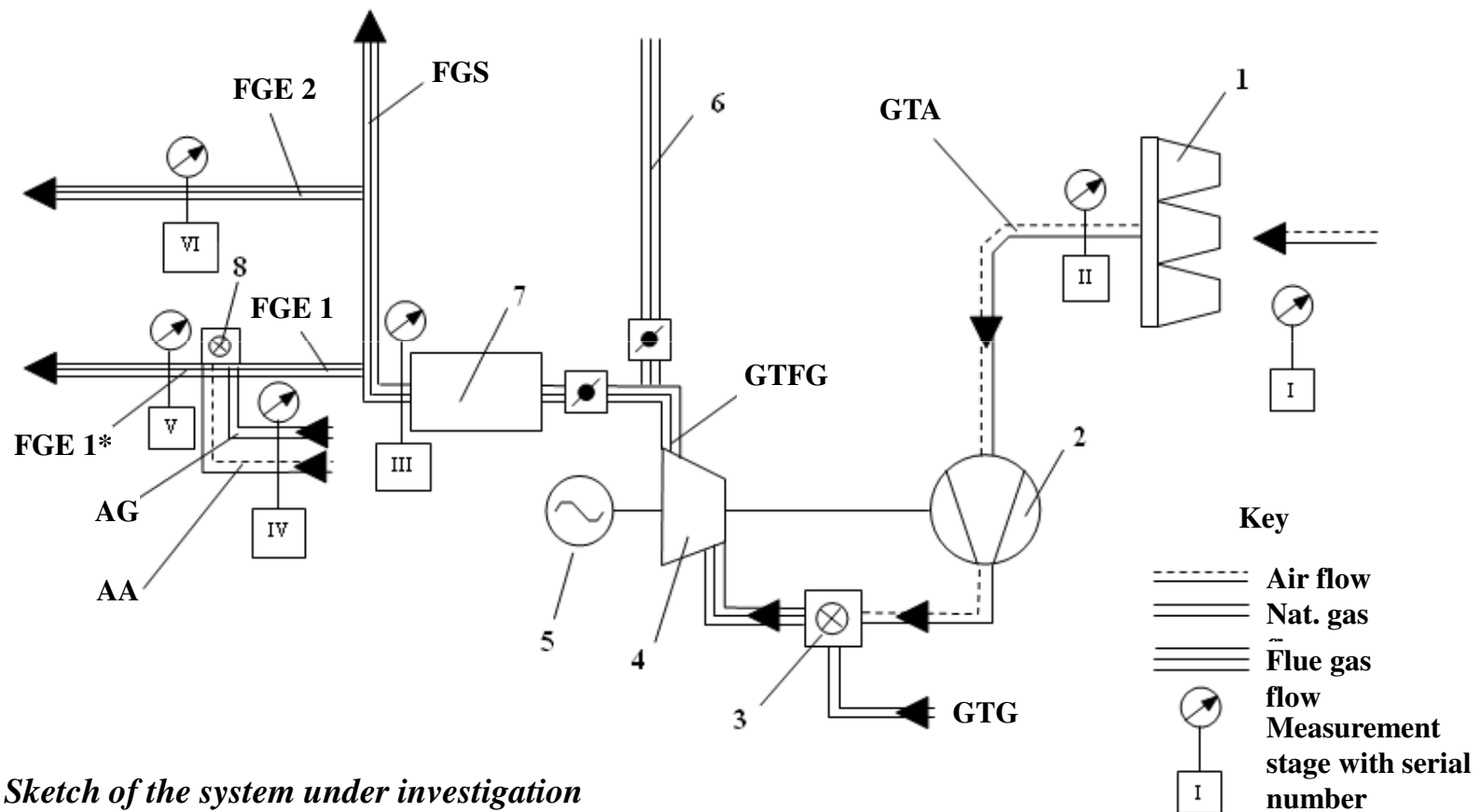


Survey of a gas turbine power plant



Sketch of the system under investigation