

7. Principles of Phase Doppler Anemometry

Dantec Measurement Technology

<http://www.dantecmt.com>

General features of PDA

- **Extension of the LDA principle**
- **Simultaneous measurement of velocity (up to 3 components) and size of spherical particles as well as mass flux, concentration etc.**
- **First publication by Durst and Zaré in 1975**
- **First commercial instrument in 1984**
- **Non-intrusive measurement (optical technique), on-line and in-situ**
- **Absolute measurement technique (no calibration required)**
- **Very high accuracy**
- **Very high spatial resolution (small measurement volume)**

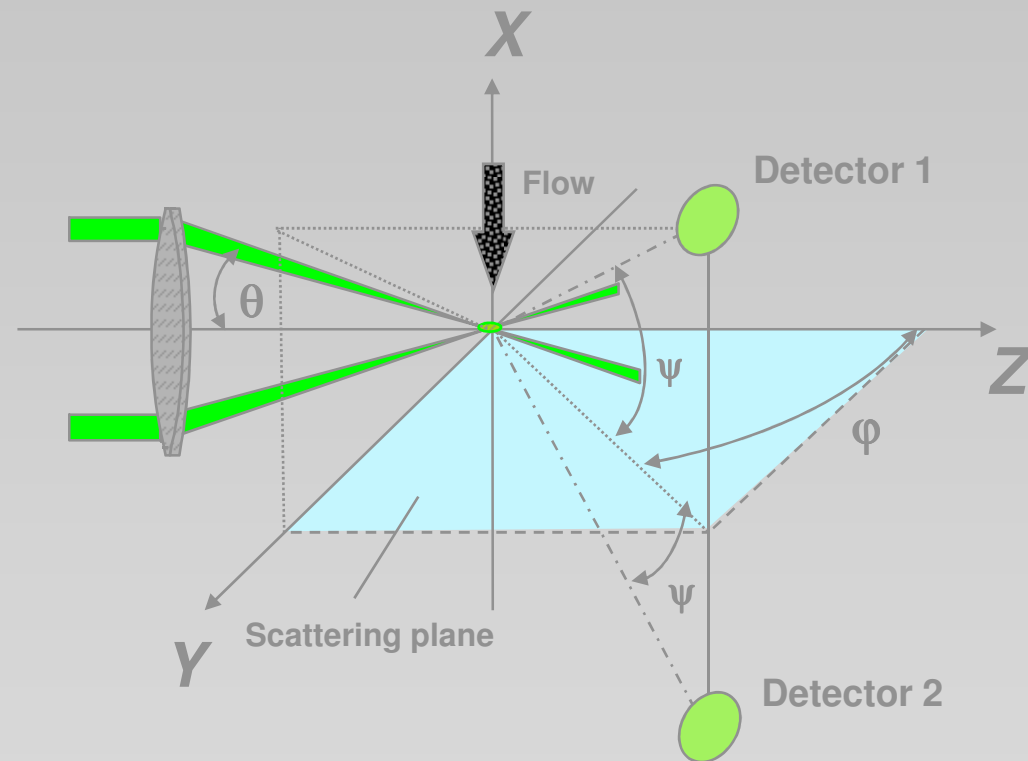
Preconditions for the application of PDA

- **Optical access to the measurement area (usually from two directions)**
- **Sphericity of particles (droplets, bubbles, solids)**
- **Homogeneity of particle medium**
(slight inhomogeneities may be tolerated if the concentration of the inhomogeneities is low and if the size of the inhomogeneities is much smaller than the wavelength used)
- **Refractive indices of the particle and the continuous medium must usually be known**
- **Particle size between ca. 0.5 μm and several millimeters**
- **Max. particle number concentration is limited**

Principle setup of PDA

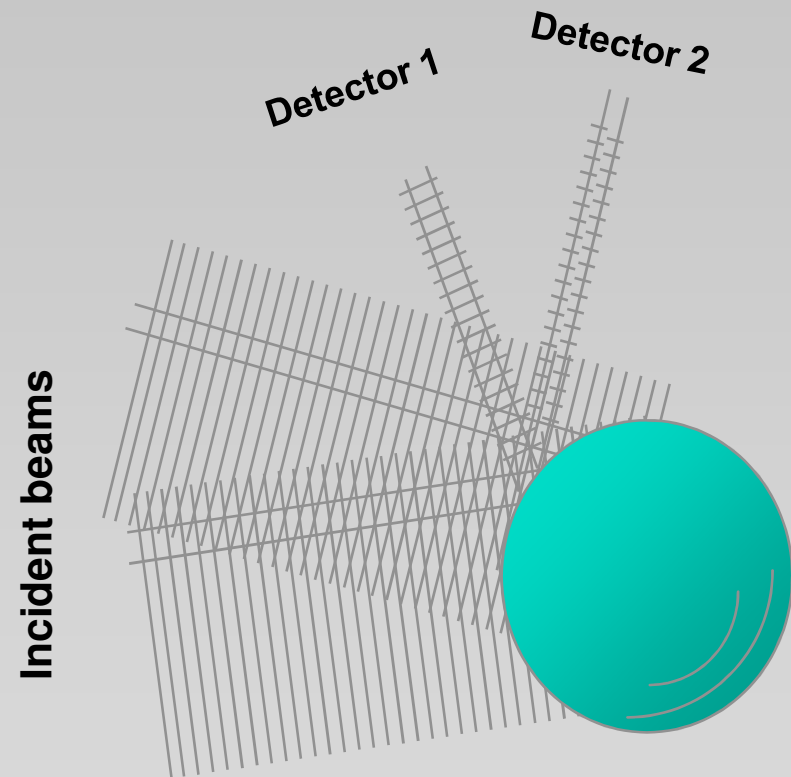
Optical parameters of a PDA setup:

- Beam intersection angle θ
- Scattering angle φ
- Elevation angle ψ
- Polarization (parallel or perpendicular to scattering plane)
- Shape and size of detector aperture



Optical principle of PDA

- A particle scatters light from two incident laser beams
- Both scattered waves interfere in space and create a beat signal with a frequency which is proportional to the velocity of the particle
- Two detectors receive this signal with different phases
- The phase shift between these two signals is proportional to the diameter of the particle



Light scattering principles

The principle of the PDA technique is the scattering of plane lightwaves by spherical particles.

A lightwave is fully described by:

- wavelength
- intensity
- polarization
- phase

Scattering is composed of:

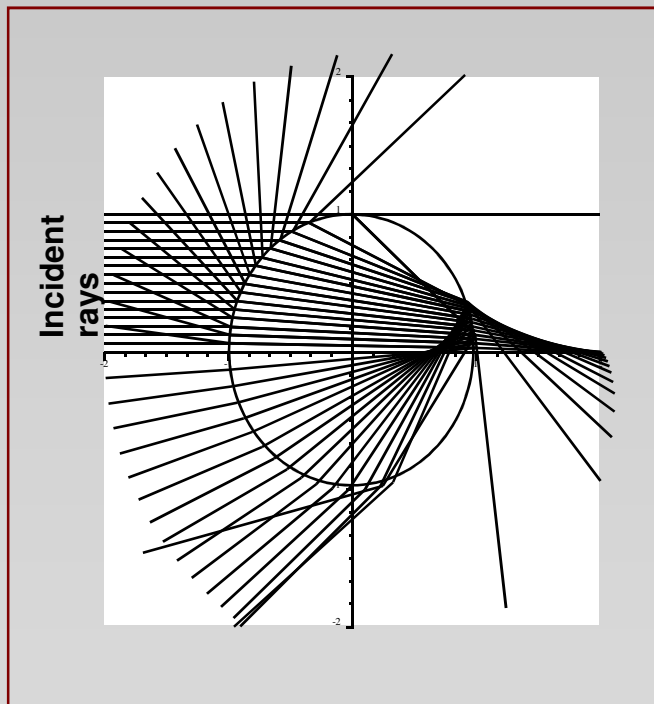
- diffraction
- reflection
- refraction
- absorption

An exact description of the scattering of light by a homogeneous sphere is given by the full solution of Maxwell's equations formulated by Mie in 1908.

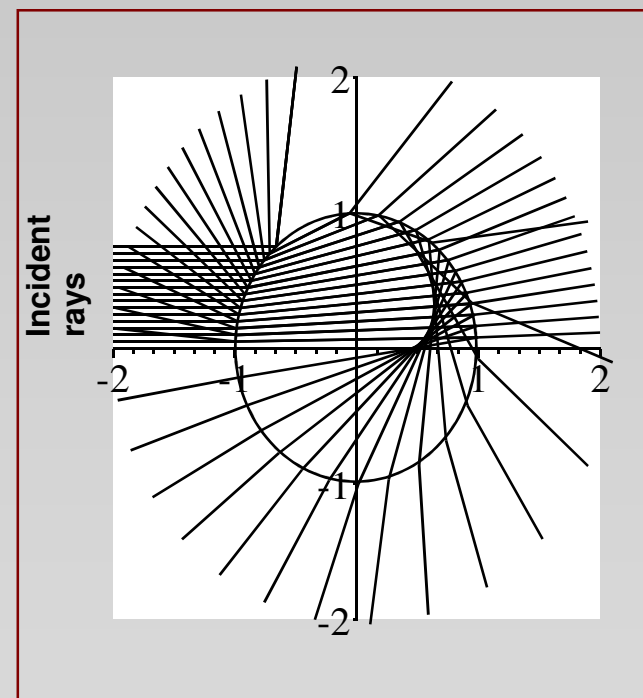
Geometric optics (Snell's law) is a simplified way to describe light scattering.

Light scattering by droplets and bubbles

Water droplet in air



Air bubble in water



Phase relationships

The phase shift between two detectors is:

For reflection:

$$\Phi = \frac{2\pi d_p}{\lambda} \frac{\sin \theta \sin \psi}{\sqrt{2(1 - \cos \theta \cos \psi \cos \phi)}}$$

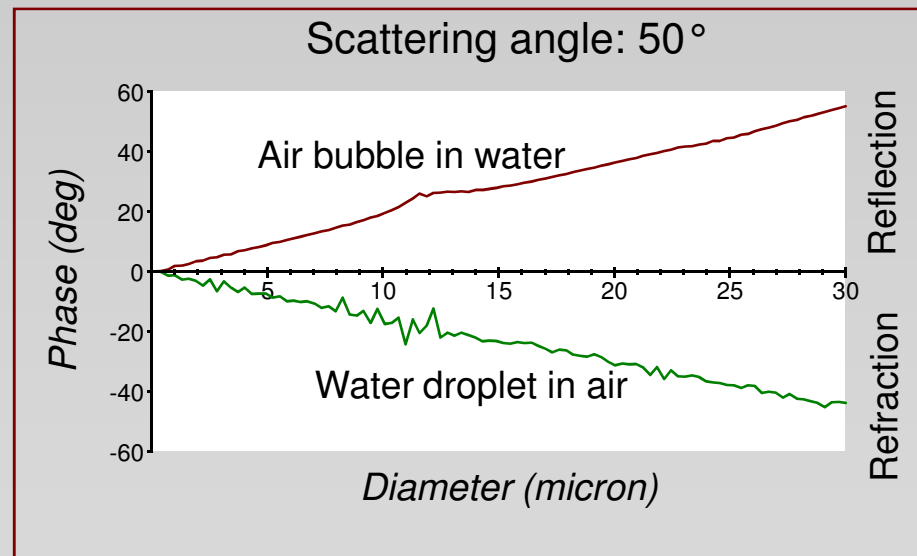
For 1st order refraction:

$$\Phi = \frac{-2\pi d_p}{\lambda} \frac{n_{rel} \sin \theta \sin \psi}{\sqrt{2(1 + \cos \theta \cos \psi \cos \phi)} (1 + n_{rel}^2 - n_{rel} \sqrt{2(1 + \cos \theta \cos \psi \cos \phi)})}$$

No calibration constant is contained in these equations.

Phase - diameter linearity

- A linear relationship between measured phase difference and particle diameter only exists, if the detector is positioned such that one light scattering mode dominates.
- Simultaneous detection of different scattering modes of comparable intensity leads to non-linearities in the phase-diameter relationship.



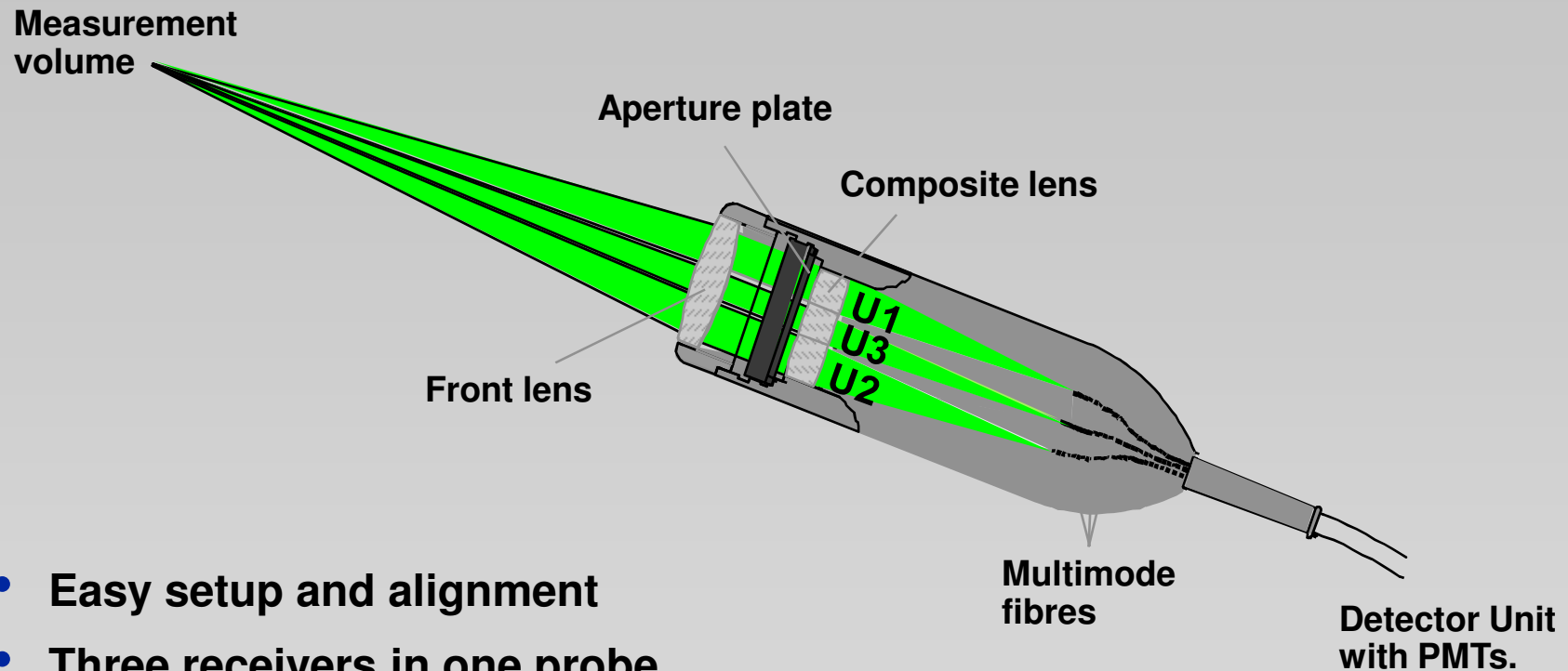
2π ambiguity in a two-detector system

- The phase difference increases with increasing particle size.
- Since phase is a modulo 2π function, it cannot exceed 2π , i.e. 360° .
- Therefore, if a particle has a size that causes the phase to go beyond a 2π jump, a two-detector PDA cannot discriminate between this size and a much smaller particle.

3-detector setup

- Overcoming the 2π ambiguity
- Increasing the measurable size range
- Maintaining a high measurement resolution

Dantec 57X40 FiberPDA



- Easy setup and alignment
- Three receivers in one probe
- Exchangeable aperture masks
- Up to three velocity components

Applications

- **Sprays and liquid atomization processes**
 - Water sprays
 - Fuel-, diesel injection
 - Paint coating
 - Agricultural sprays
 - Medical, pharmaceutical sprays
 - Cosmetic sprays
- **Powder production**
 - Spray drying
 - Liquid metal atomization
- **Bubble dynamics**
 - Cavitation
 - Aeration
 - Multiphase mass transfer

Automotive Fuel Injection

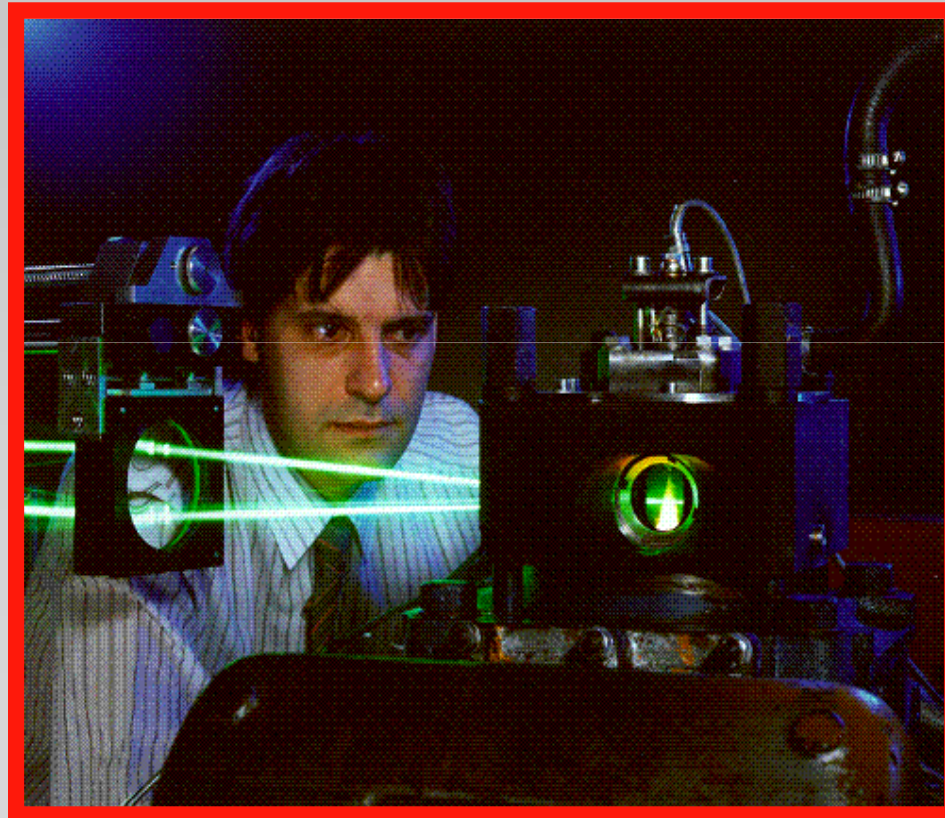


Photo: AVL, Graz, Austria

Nozzle Design

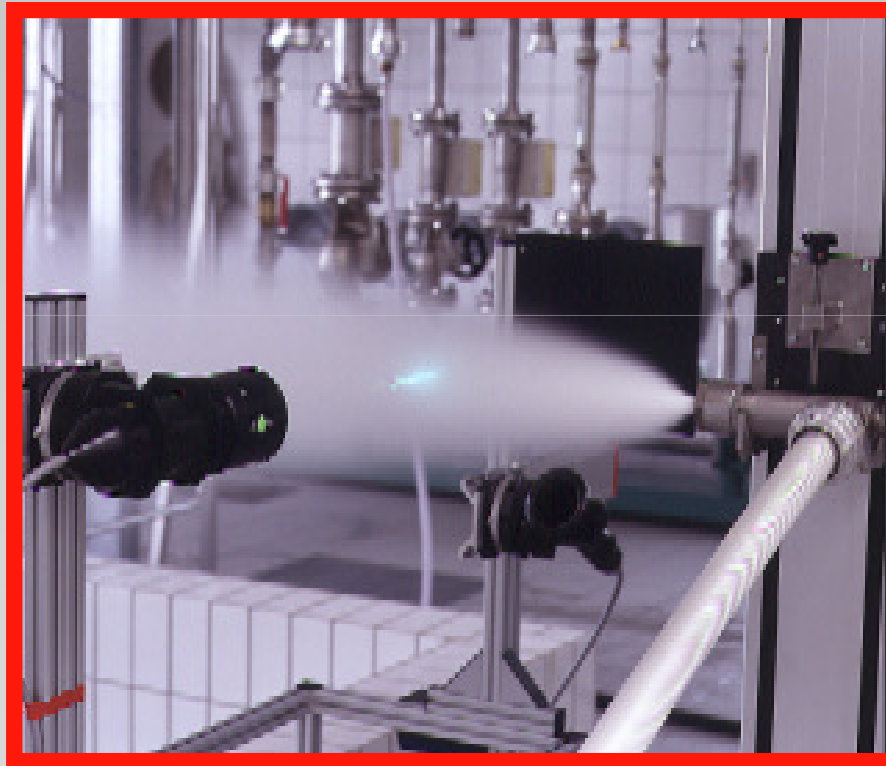


Photo: Gustav Schlick GmbH & Co., Untersiema, Germany

Aircraft Engine Fuel Injection

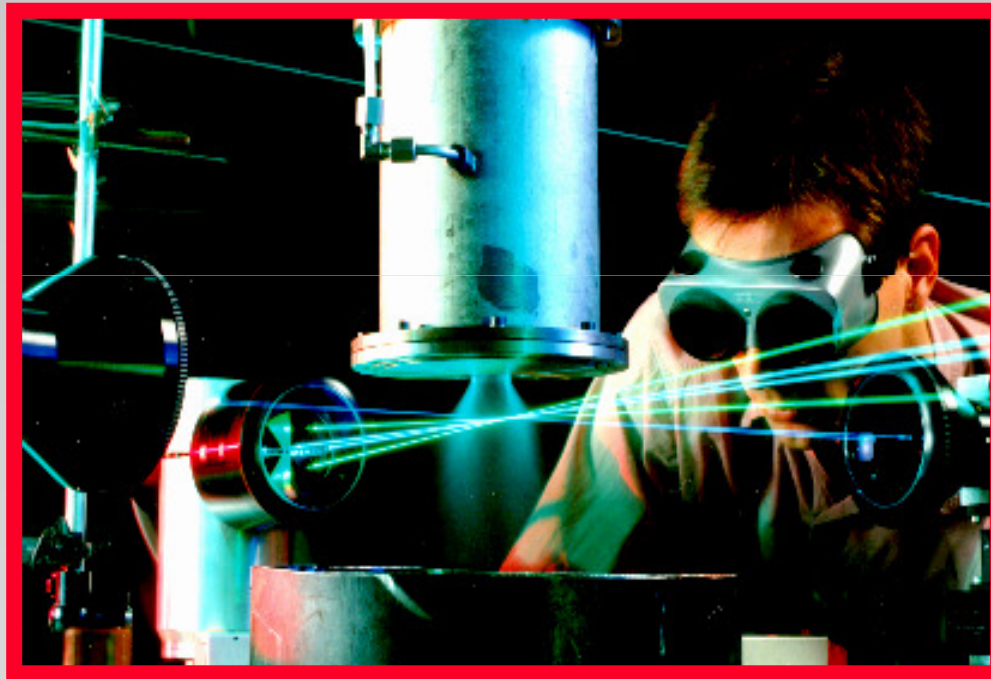
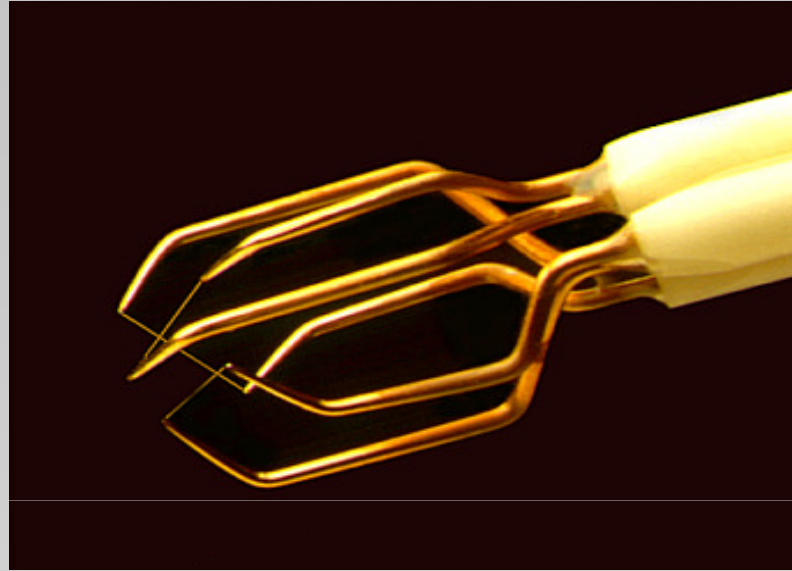


Photo: DLR, Institut für Antriebstechnik, Köln, Germany

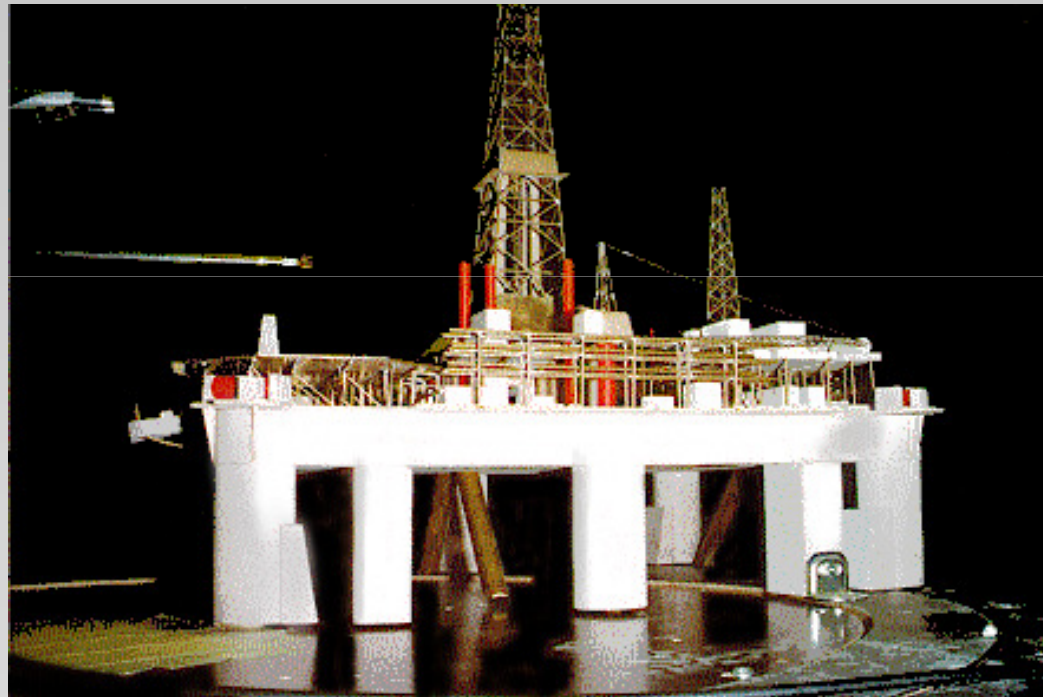
8. Hot-Wire Anemometry



- **Purpose:**
to measure mean and fluctuating variables in fluid flows (velocity, temperature, etc.): mean velocity, turbulence characteristics

HWA Application

Flow field over helicopter landing pad

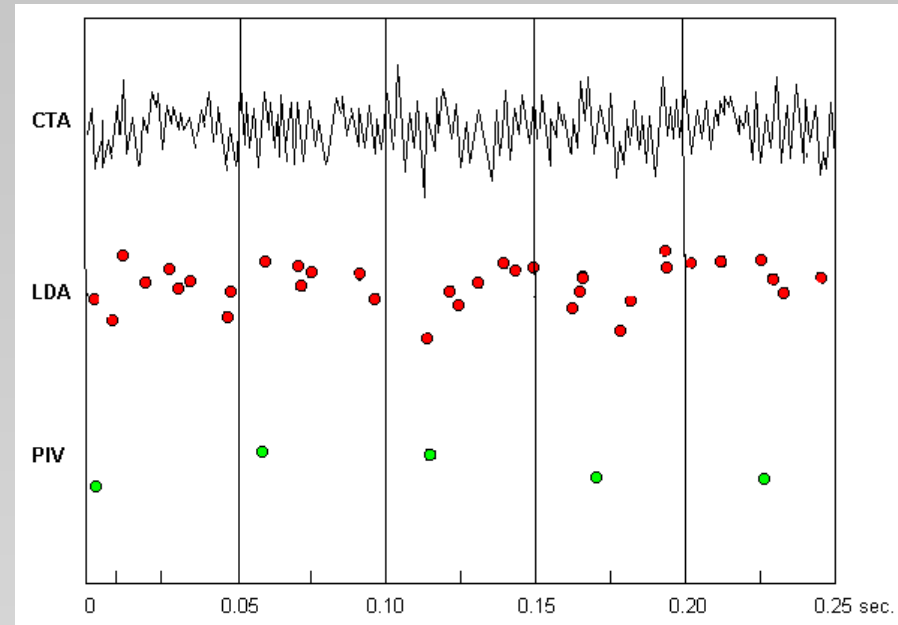


(Danish Maritime Institute, Lyngby Denmark)

Anemometer signal output

The thermal anemometer provides an analogue output which represents the velocity in a point. A velocity information is thus available anytime.

Note that LDA signals occur at random, while PIV signals are timed with the frame grapping of illuminated particles.

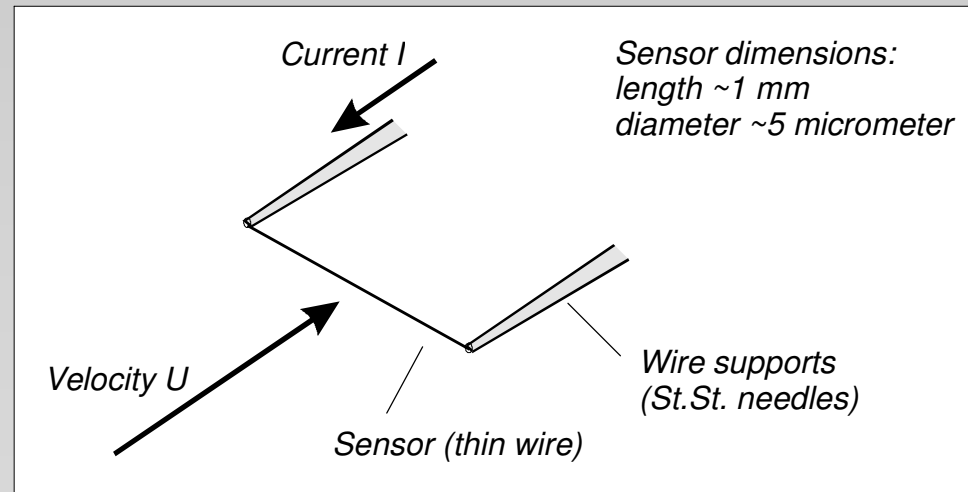


Principles of operation

- Consider a thin wire mounted to supports and exposed to a velocity U .

When a current is passed through wire, heat is generated ($I^2 R_w$). In equilibrium, this must be balanced by heat loss (primarily convective) to the surroundings.

- If velocity changes, convective heat transfer coefficient will change, wire temperature will change and eventually reach a new equilibrium.



Governing equation

- **Governing Equation:** $\frac{dE}{dt} = W - H$

E = thermal energy stored in wire

$$E = CwTw$$

Cw = heat capacity of wire

W = power generated by Joule heating

$$W = I^2 R_w$$

recall $R_w = R_w(T_w)$

H = heat transferred to surroundings

Simplified static analysis I

- For equilibrium conditions the heat storage is zero:

$$\frac{dE}{dt} = 0 \quad \therefore W = H$$

and the Joule heating W equals the convective heat transfer H

- Assumptions
 - Radiation losses small
 - Conduction to wire supports small
 - T_w uniform over length of sensor
 - Velocity impinges normally on wire, and is uniform over its entire length, and also small compared to sonic speed.
 - Fluid temperature and density constant

Simplified static analysis II

Static heat transfer:

$$W = H \Rightarrow I^2 R_w = hA(T_w - T_a) \Rightarrow I^2 R_w = Nu k_f / d A (T_w - T_a)$$

h = film coefficient of heat transfer

A = heat transfer area

d = wire diameter

k_f = heat conductivity of fluid

Nu = dimensionless heat transfer coefficient

Forced convection regime, i.e. $Re > Gr^{1/3}$ (0.02 in air) and $Re < 140 \Rightarrow$

$$Nu = A_1 + B_1 \cdot Re^n = A_2 + B_2 \cdot U^n$$

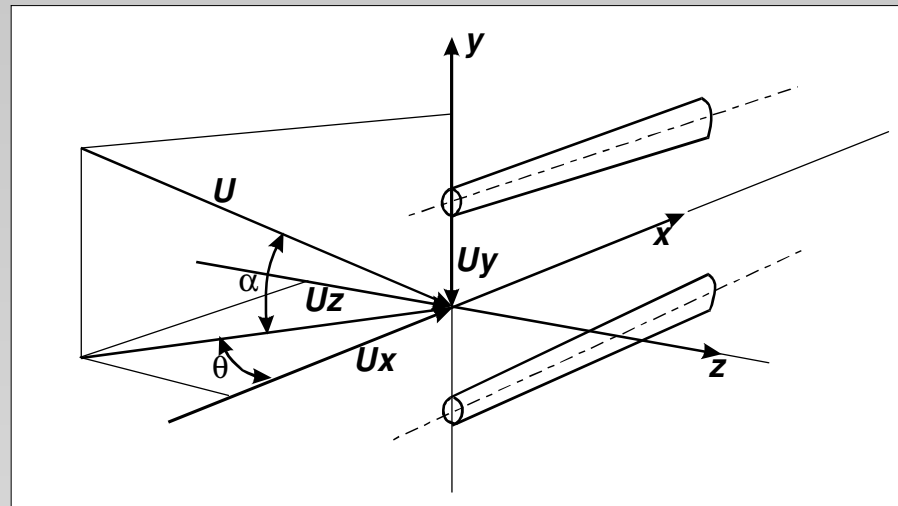
$$I^2 R_w^2 = E^2 = (T_w - T_a)(A + B \cdot U^n) \quad \text{“King’s law”}$$

The voltage drop is used as a measure of velocity \Rightarrow data acquisition, processing

A, B, n: BY CALIBRATION

Directional response

Probe coordinate system



Velocity vector U is decomposed into normal U_x , tangential U_y and binormal U_z components.

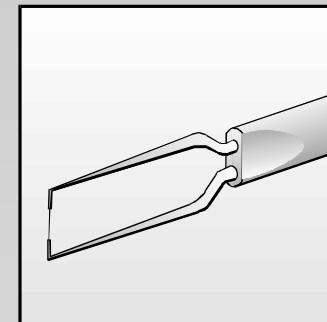
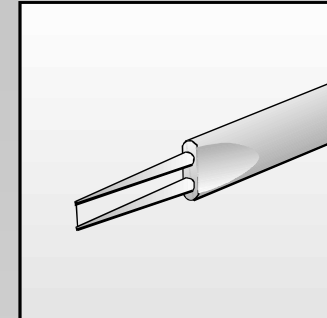
Probe types I

- **Miniature Wire Probes**
Platinum-plated tungsten,
5 μm diameter, 1.2 mm length

- **Gold-Plated Probes**
3 mm total wire length,
1.25 mm active sensor
copper ends, gold-plated

Advantages:

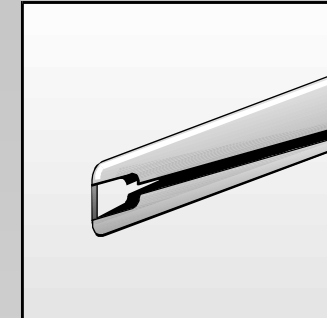
- accurately defined sensing length
- reduced heat dissipation by the prongs
- more uniform temperature distribution along wire
- less probe interference to the flow field



Probe types II

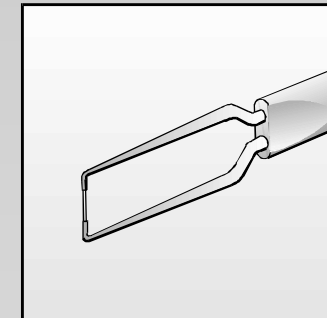
- **Film Probes**

Thin metal film (nickel) deposited on quartz body. Thin quartz layer protects metal film against corrosion, wear, physical damage, electrical action



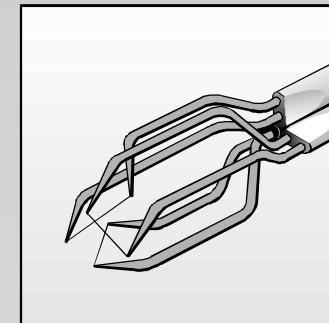
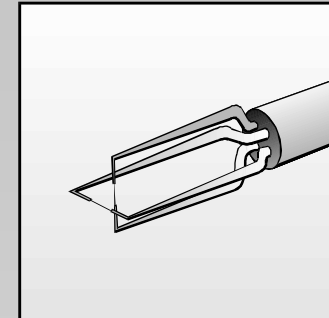
- **Fiber-Film Probes**

“Hybrid” - film deposited on a thin wire-like quartz rod (fiber) “split fiber-film probes.”



Probe types III

- **X-probes for 2D flows**
2 sensors perpendicular to each other.
Measures within $\pm 45^\circ$.
- **Split-fiber probes for 2D flows**
2 film sensors opposite each other on a quartz cylinder. Measures within $\pm 90^\circ$.
- **Tri-axial probes for 3D flows**
3 sensors in an orthogonal system. Measures within 70° cone.



Constant Temperature Anemometer CTA

- **Principle:**

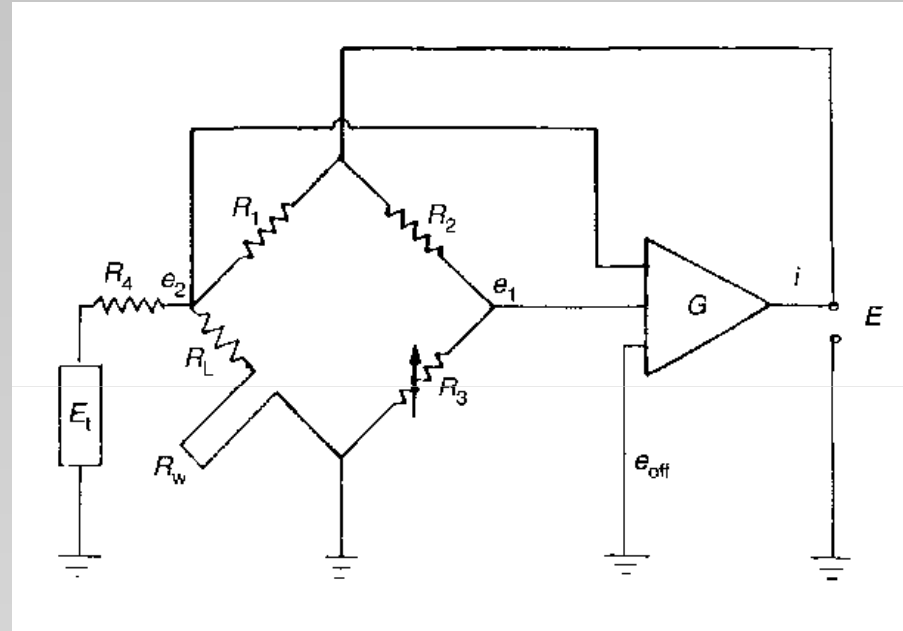
Sensor resistance is kept constant by servo amplifier

- **Advantages:**

- Easy to use
- High frequency response
- Low noise
- Accepted standard

- **Disadvantages:**

- More complex circuit



Velocity calibration (Static cal.)

- Despite extensive work, no universal expression to describe heat transfer from hot wires and films exist.
- For all actual measurements, direct calibration of the anemometer is necessary.

Dynamic calibration

- To calibrate the internal dynamics of the instrumentation (electronics etc.)

Problem Sources

Temperature Variations

- **Fluctuating fluid temperature**

Heat transfer from the probe is proportional to the temperature difference between fluid and sensor.

$$E^2 = (T_w - T_a)(A + B \cdot U^n)$$

As T_a varies:

- heat transfer changes
- fluid properties change

TO BE HANDLED